



4' DIAMETER SUNCATCHER ASSEMBLY INSTRUCTIONS

GETTING ORGANIZED

TOOLS NEEDED

- Phillips Head Screwdriver
- 7/16" regular wrench

HELPFUL TOOLS TO HAVE

- Power screwdriver or drill with a Phillips Head bit to remove screws from shipping crate - not to assemble the Suncatcher
- A utility knife or a pair of scissors for removing packing materials
- A step ladder
- Rubber or plastic mallet

BASIC TIPS AND ADVICE

- Suncatcher enclosures are easily assembled by two people
- Thoroughly read through instructions before starting.
- Complete the assembly steps in the order that they are presented.
- Choose a level place to set the cage and build the cage in the location where it will be set.
- Collect all the tools that you will need.
- Unpack the shipping crate and take an inventory of the enclosure parts. The exact type and number of parts may be different depending on the size of the cage and the accessories you ordered. Refer to the packing list for the complete inventory.
- Unpack and place all the parts near where the enclosure will be located.
- In order for all the parts of a Suncatcher enclosure to be assembled in their correct positions it is very important that the parts be able to move a bit while they are being put together. Therefore do not tighten any nuts or screws completely until the end of assembly.
- Do not let the stainless steel hardware pieces get too hot. Heat makes them expand and difficult to install.
- Do not use a drill or power screw driver to seat the screws as this will cause them to heat up and expand.
- Don't be alarmed if you have leftover hardware when you are done.

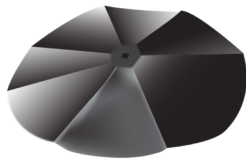
TAKING INVENTORY

- Unpack all of the boxes before taking inventory, as similar parts may be packaged in separate boxes.
- You should have all the parts listed on your packing list enclosed with your unit.
- Small parts can be easily lost in packaging so carefully look through all packaging.

PARTS LIST



Triangular Roof Panel



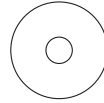
Roof Cap



Roof Underside Support Plate



Jam Nut



Fender Washer



4" Carriage Bolt



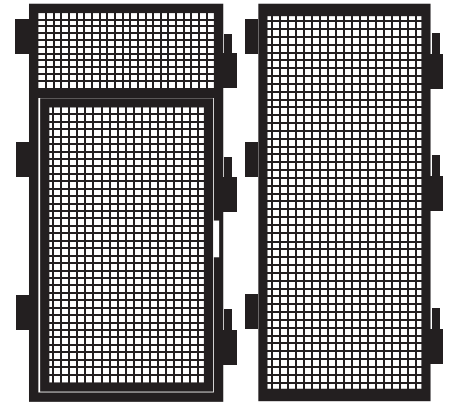
5/8" Screws



5/8" Screws w/ Washer



Nut



Door Panel
(Inside View)

Side Panels
(Inside View)

If you have problems with assembly, or are missing parts, you can call (920) 886-1220 ext. 15 or email CustCagesContact@aol.com

We are open 9:00 am – 4:30 pm CST Monday through Friday.

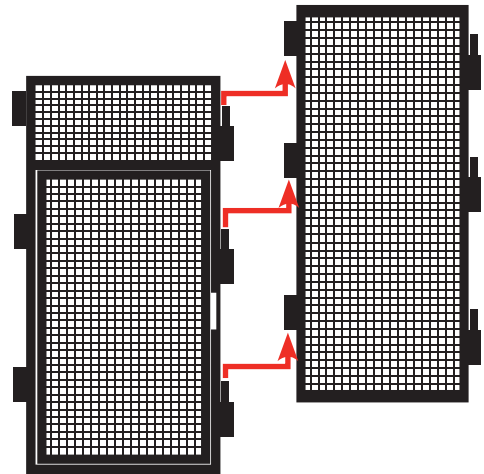
STEP 1 Assembly of Door & Side Panels

- Locate the door panel. The top of the panel will have threaded bolt holes in the center. The outside of the panel will have one bolt hole and the inside of the door panel will have two bolt holes.
- Looking from the inside of the panel, the left side will have round tubular hinges without pins. The right hand side round tubular hinges will have stainless steel pins which face up.
- Locate a side panel. The top of the side panel has one bolt hole on the outside and 2 bolt holes on the inside, just like the door panel. The position of the hinges on the side panel are also the same as the door panel.
- While one person holds the door panel upright, a second person can line up the left hand (from the inside) hinges on a side panel over the right side hinge pins of the door panel.

Illustration 1

- Insert the top of the center hinge pin first, because it is slightly longer than the upper and lower pins, but **DO NOT** push it down.
- Line-up the upper and lower hinges on the side panel over the pins on the door panel. Once they are in place, apply pressure to seat the pins fully into the hinges. Gently swinging the panel back and forth will help to seat the pins. If seating the pins is difficult, use a rubber or plastic mallet to gently tap on the top corner of the side panel frame. **Do not tap on the center of the frame.**
- Continue putting the side panels in place until the ring of panels is complete.
- The left side hinges on the door panel will be seated onto the right side pins of the last side panel.
- Gently pull and push the side panels of the cage until the shape is roughly symmetrical.

Illustration 1



STEP 2 Roof Panels

- Installing the roof panels requires 2 people.
- Locate a roof panels. The outside edge (wide end) of each panel has a downward flange with an oval bolt hole in the center. The right side of the panel has an upward oriented flange.

Illustration 2

- Note the roof panels are not the same size. *Illustration 3* shows the various sizes of the panels, numbered in the order they need to be installed. You should have:
- 2 panels which measure 29" x 21" x 27" (left #4 and right #3)
- 2 panels which measure 29" x 21" x 25" (left #5 and right #2)
- 1 panel which measures 29" x 25" x 25" (#1 positioned over door panel) *Illustration 3*
- The corner formed by the 2 wall panels opposite the door panel needs to remain at a 90° right angle during roof assembly process. *Illustration 3*
- While one person stands inside the cage on a step ladder, the 2nd person will attach the #1 roof panel to the outside of the top horizontal frame of the door panel using a 5/8" screw with a washer. Do not fully tighten. The person on the step ladder will hold the roof tip stable at approximately a 40° angle.
- Working counter-clockwise, lay the downward flange of the left side of panel 2 over the right hand upward facing flange on the right side of panel 1. Attach panels 3-4 in the same manner. Do not install panel 5 yet. *Illustration 4*

- Insert the 4" carriage bolt through the roof cap.
- Working from the inside, hold the roof cap above the opening on top of the attached roof panels and the underside support plate under the opening.
- Place the 4" carriage bolt with the roof cap through the hole of the roof panels and down through the hole in the underside support plate. *Illustration 5*
- Place washer. Screw the first nut and then the jam nut onto the protruding screw on the underside of the enclosure. Do not fully tighten.
- Now put panel 5 into place.

STEP 4: Tightening Fasteners

- Inspect the Suncatcher enclosure carefully to make sure that everything is aligned properly. Make small adjustments as necessary. At this point there should not be any big gaps anywhere in the cage. Now all the fasteners will be tightened. **Use hand tools only.**
- Start outside of the enclosure, tighten the 5/8" long screws with washers that secure the roof panels to the tops of the door and side panels.
- Lastly, tighten the nuts on the 4" carriage bolt in the center of the enclosure.

Illustration 2



Illustration 3

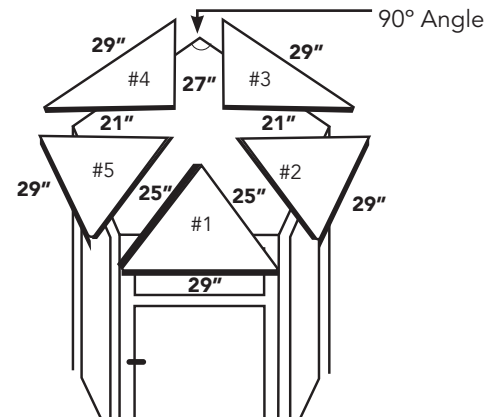


Illustration 4

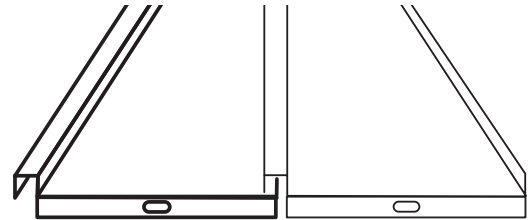


Illustration 5

