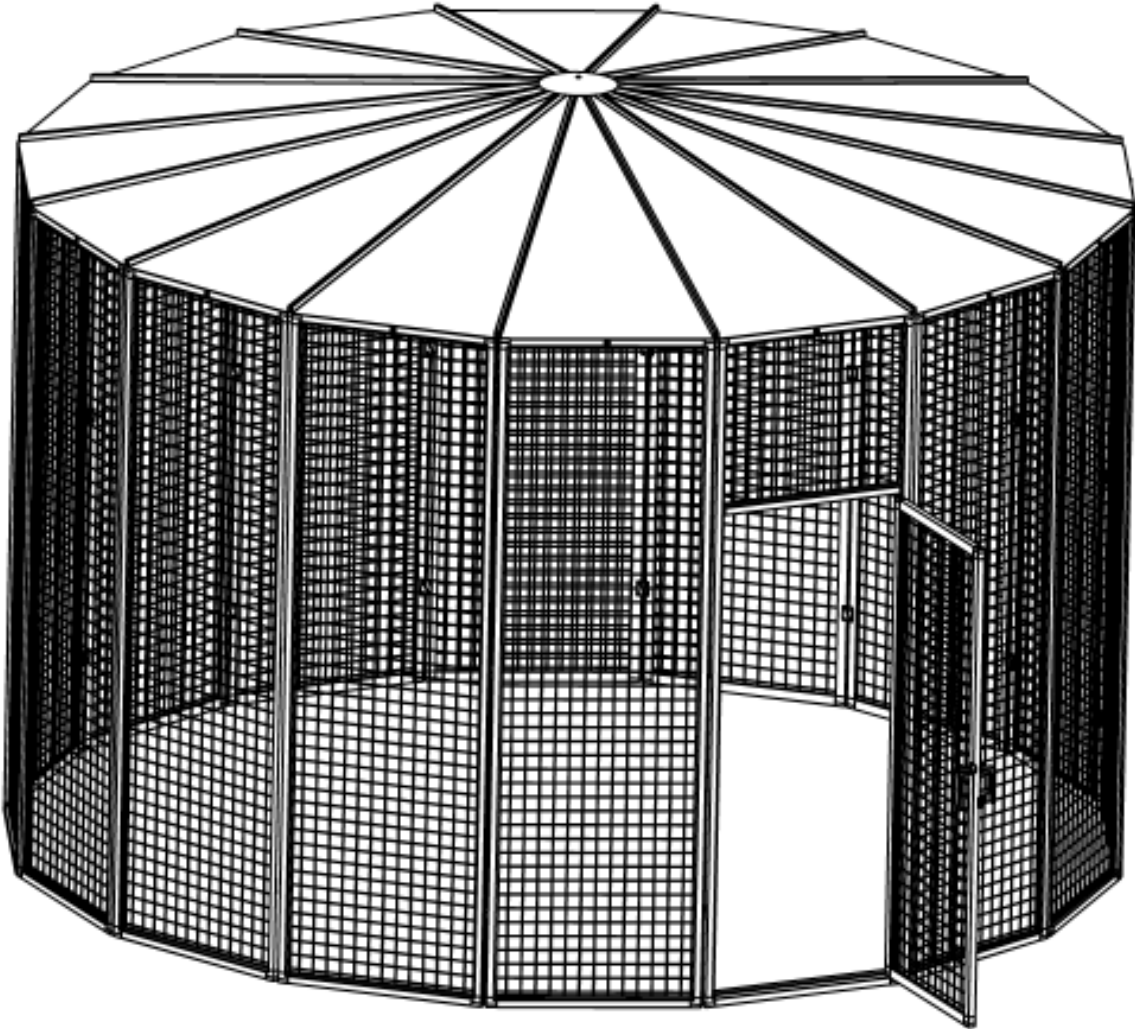


12 Ft. Diameter Indoor/Outdoor Suncatcher Enclosure Assembly Instructions



12 Ft. Diameter Indoor/Outdoor Suncatcher Enclosure Assembly Instructions

PARTS:

15-Cage Side Panels

1-Cage Door Panel

16-Roof Panels

1-Brace 93" (Alum Angle)

1-Brace 116" (Alum Angle)

4-Roof Rafters 74.91" (Alum Tube)

4-Roof Rafter to Panel LH Brackets

4-Roof Rafter to Panel RH Brackets

4-Roof Rafter Center Brackets

1-Roof Rafter Bottom Bracket

1-Roof Cap

1-Roof Underside Support Plate

8-1/4-20 x 3/8" Screws

24-1/4-20 x 5/8" Screws

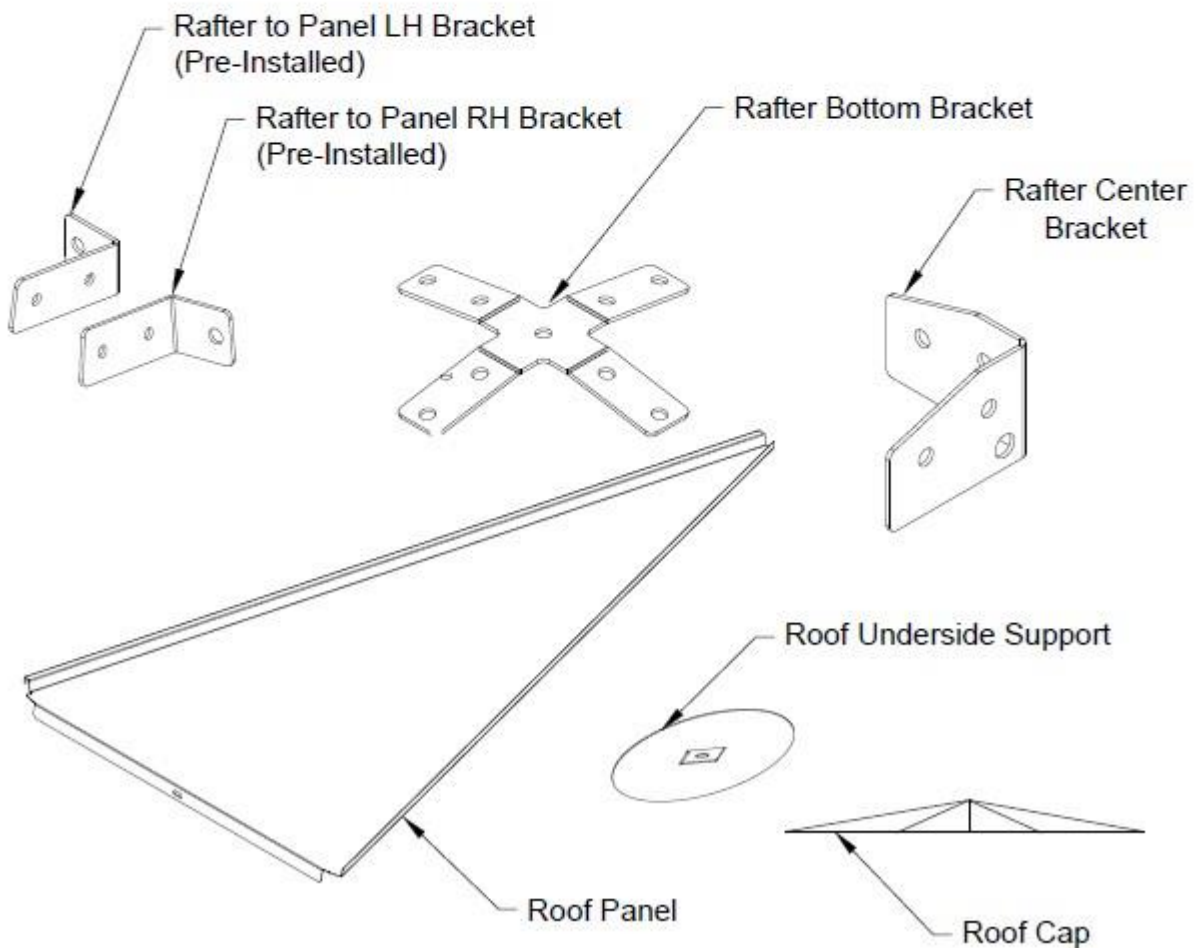
12-1/4-20 x 1 1/2" Screws

1-1/4-20 x 4" Carriage Bolt

2-1/4-20 Standard Nuts

12-1/4-20 Nylon Insert Lock Nuts

16-5/8" Diameter Black Nylon Washers



12 Ft. Diameter Indoor/Outdoor Suncatcher Enclosure Assembly Instructions

Assembling the Cage Side Panels:

Note: Leave all hardware loose until cage is fully assembled.

1. Locate Cage Door Panel, and Cage Side Panels. Line up Cage Door Panel and one Cage Side Panel with hinge pins pointed up and threaded inserts located at top of panel. Panel top brace with two threaded inserts will be the inside of the cage. Panel top brace with only one threaded insert will be outside of cage.
2. Line up middle hinge pin first, as it is slightly longer to aid in assembly and alignment. Before pressing together fully, line up top and bottom hinge pins.
3. Push down on the Panel until hinge pins and barrels on panels are fully seated. If hinges do not seat all the way down easily, it can help to pivot the Panel back and forth slightly on the hinge while applying downward pressure to insure panel seats fully.
4. Repeat Steps 1-3 until all panels are connected together. As you add panels adjust and arrange panels to create a symmetrical as possible circle. This will aid in alignment of Roof Support System, and Roof Panels.

Assembling Roof Support System:

Note: Roof Support System forms a "Cross" 90 degrees apart from one another under the roof panels and provides a spot to hang light-weight pet toys. Locate Roof Support System in any orientation you desire as all panels contain threaded inserts for the roof support system.

Note: Leave all hardware loose until cage is fully assembled.

1. Locate all four 74.91" Roof Rafters (Aluminum square tubing) and Rafter Bottom Bracket. Attach two of the Roof Rafters to the Rafter Bottom Bracket using two 1/4 -20 x 3/8" screws threaded into the two inserts in bottom of each Roof Rafter. The Rafter Bottom Bracket has four slightly bent "legs". The two Roof Rafter tubes should be bolted onto the legs of Bottom Bracket that are directly across from one another creating a straight line with the two Roof Rafters. Rafter Bottom Bracket should be orientated so that when bolted onto bottom of Roof Rafters, the Roof Rafters form a slight peak as shown in Figure 1.

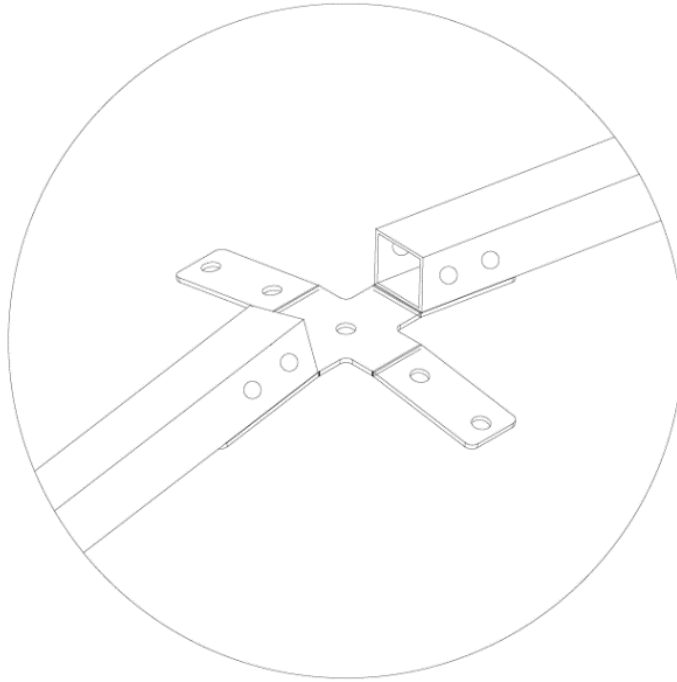


Figure 1

2. Using two people and being careful not to bend Rafter Bottom Bracket, align one side of Roof Rafter assembly with the inserts on a Cage Side Panel top brace. Secure using two 1/4-20 x 5/8" screws. Once loosely fastened secure other side of Rafter assembly to Cage Side Panel Directly across from the first in the same manner.

Note: an alternative method would be to install each Roof Rafter Individually while a helper holds up the center. The goal is to not put too much force on the cage side panels by hanging a single Roof Rafter off the side of the Cage Panel with no support.

3. Attach remaining two Roof Rafters and secure in the same manner as in Step 2.
4. Locate all four Rafter Center Brackets. These will be attached to the center "Hub" created in steps 1-3. Using eight 1/4-20 x 1-1/2" screws and Nylon Insert Lock nuts, attach Rafter Center Brackets by bolting to aluminum tube Roof Rafter thru the two holes in each Rafter near the center of the Roof Support System. A bracket is positioned on each side of the aluminum tube Roof Rafter and secured by the thru bolts. Continue to add the Roof Rafter Center Brackets until all legs of the Roof Support System are tied together.

5. Locate Brace 93" (Aluminum Angle). Attach Brace to span under and tie together Roof Rafters inline using two 1/4 -20 x 1 1/2" screws through Roof Rafter holes. Secure with two 1/4-20 Nylon Insert Lock nuts. Position angle brace so vertical leg of angle is pointed up to avoid a corner pointed down which would create a sharp corner and could cause injury.
6. Locate Brace 116" (Aluminum Angle). Locate opposite set of inline Roof Rafters (90 degrees apart) as used in Step 5. Attach Brace 116" to Roof Rafter in the same manner as in step 5.

Attaching the Roof Panels:

Note: Leave all hardware loose until cage is fully assembled.

1. Locate Roof Panels. Slide Roof Panel over the top of the enclosure so the oval hole in the bent down tab on wide end of the panel lines up with the threaded insert on the outside of the Cage Side Panel. Note: It is helpful to start first Roof Panel directly over the top of a Roof Rafter to help hold the panel up during assembly. Also note hole in narrow end (Peak) of roof panel is used for hanging during painting process only and is not used to assemble cage
2. Using a 1/4 -20 x 5/8" screw and 5/8" Diameter Black Nylon Washer, secure Roof Panel to enclosure. Do not tighten completely as you may need to shift the enclosure to help align panels as they are added.
3. Repeat step 1-2 for all but one Roof Panel!. It may be necessary to adjust Cage Side Panels as you install Roof Panels for proper alignment. It also can be helpful to lift up on the roof panels in the center of the cage to help align and fit the panels as you are placing them if they are fitting tight.
4. Locate Roof Underside Support. Through the opening created by leaving off last Roof Panel, slide the Roof Underside Support plate under all of the Roof Panels, yet keep above the Roof Support System. Align so hole in center of Roof Underside Support plate is in the center of the "Hub" created by the roof support system.
5. Locate Roof Cap. Place 1/4 -20 x 4" carriage bolt through hole in Roof Cap. Through the opening created by leaving off last Roof Panel, place the Roof Cap and carriage bolt on the peak. Align carriage bolt to go through center hole of Roof Underside Support and also through the center hole of Bottom Bracket. Locate two 1/4-20 Standard nuts and thread only a few turns onto the carriage bolt.
6. Slide final Roof Panel in place and under Roof Cap. Secure final Roof Panel.
7. Tighten all hardware. Starting with Roof Panels, then Roof Support System, and finally Roof Peak carriage bolt nuts. Note: Roof Peak carriage bolt Standard nuts should be tightened to each other "Jammed" to prevent loosening.